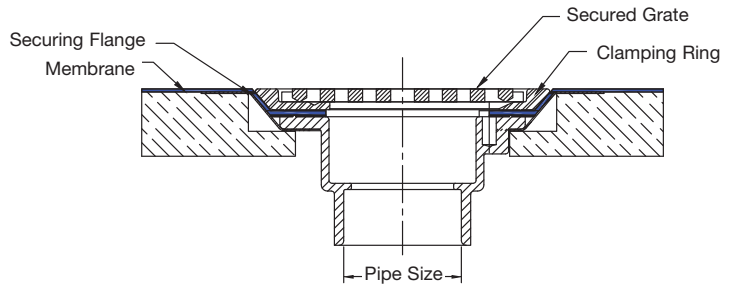


## Specialty Drains

### FD-370 Wood Deck Drain w/Surface Membrane Clamp

Model Number	Weight (lbs.)	Grate Size	Outlet Size	Grate	List Price
FD-372	4	5"	2" ABS	aluminum	\$409.00



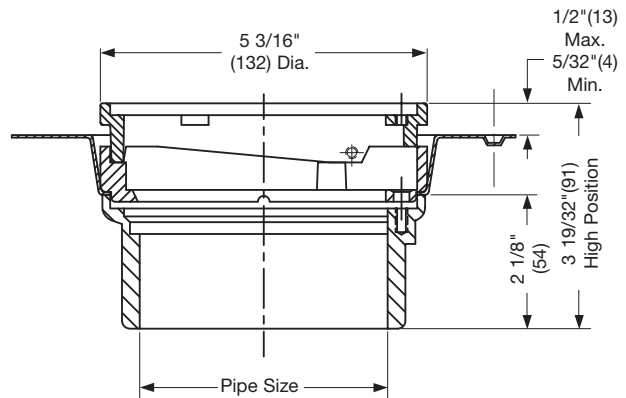
Typical Installation

#### Options for FD-370 Series:

Suffix	Description	List Price
-6	Vandal Proof	\$54.00

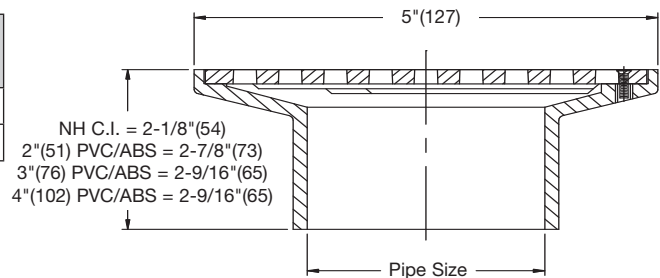
### FD-380 Adjustable Wood Floor Drain

Model Number	Weight (lbs.)	Grate Size	Outlet Size	Grate	List Price
FD-382,3,4	7	5"	2,3,4"	nickel bronze	\$601.50



### FD-390-E General Purpose Floor Drain

Model Number	Weight (lbs.)	Grate Size	Outlet Size	Grate	List Price
FD-392,3,4-E	5	5"	2,3,4"	ductile iron	\$170.00
FD-392,3,4-E-1	5	5"	2,3,4"	nickel bronze	232.00



Note: Funnels are ordered separately. See page 63 for details.

#### Options for FD-380 Series:

Suffix	Description	List Price	Suffix	Description	List Price
None	No Hub	No Add	-F4-1	4" Round Bronze Funnel	\$428.00
-6	Vandal Proof	\$54.50	-F6-1	6" Round Nickel Bronze Funnel	625.50
-60	PVC Body w/Socket Outlet (2,3,4,6" Only)	No Add	G-50	4x9" Oval Cast Iron Funnel	423.00
-61	ABS Body w/Socket Outlet	No Add	G-1	4x9" Oval Nickel Bronze Funnel	872.00
-E	5/16 Stackable Strainer Extension	81.50			
-F4-50	4" Round Cast Iron Funnel	179.00			

Note: Funnels are ordered separately. See page 41 for details.

Consult factory for all applications outside of listed parameters.  
Prices do not include applicable taxes.

